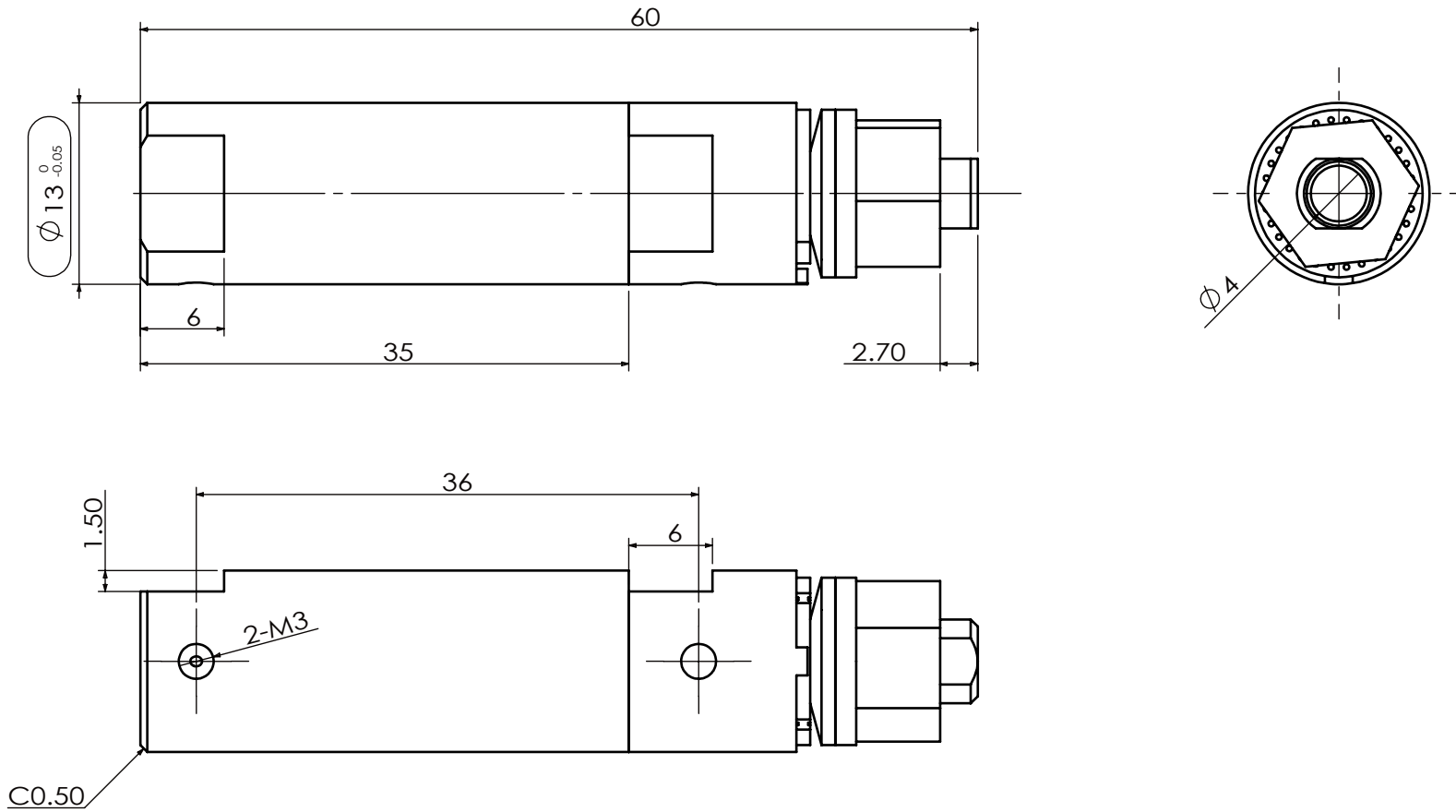


1	Date	Revisions	Staff
	*****	*****	**



- 注:
- 1.带圆圈尺寸为重点尺寸.
 - 2.表面镀无化学镍3~6 μm
 - 3.倒角均为:C0.5
 - 4.一般公差:±0.2.
 - 5.使用产品必须符合ROHS要求。

001	组装图			****	****	1	
No.	Parts Name			Materials	Treat	Q'ty	Remarks
Approved	Checked	Drawn	Designed	Date	Tolerance	Customer	
				2019.10.13	L < 1 0.05		
				Scale	Angle	DWG Name	*****
				1:1	* o 4 < L ≤ 16 0.15		
Jiaying yujia Machinery Co.,Ltd				Unit	mm	DWG No.	SD2195A20000
					16 < L ≤ 63 0.2		
					63 < L 0.25		