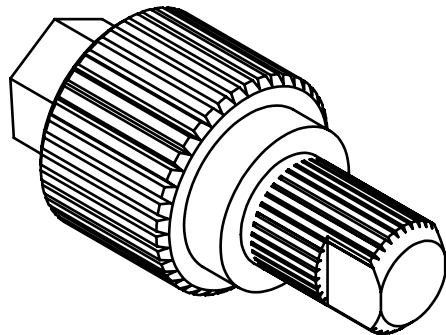
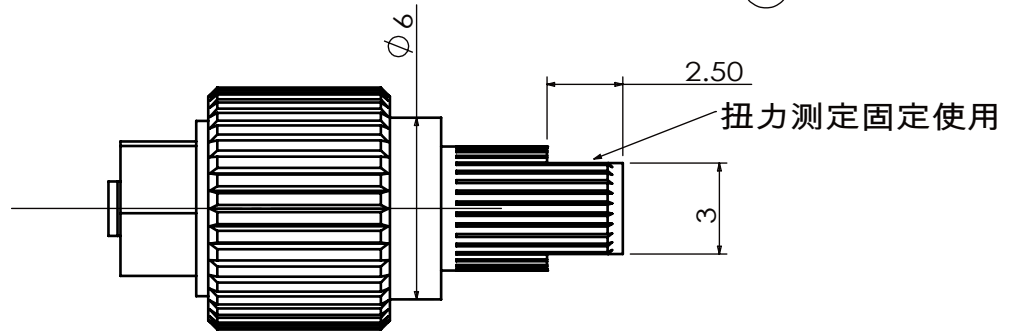
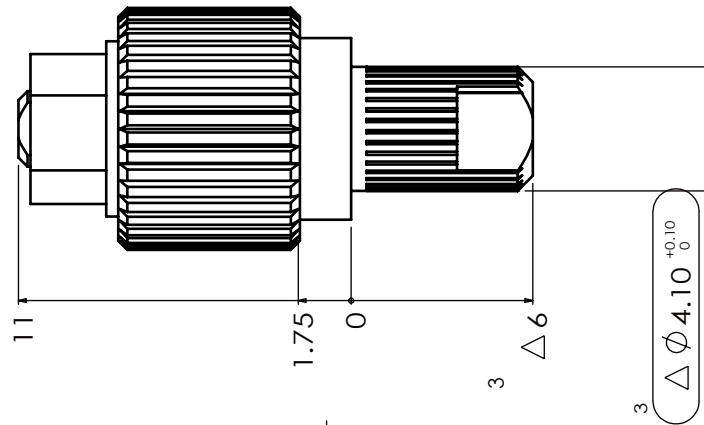
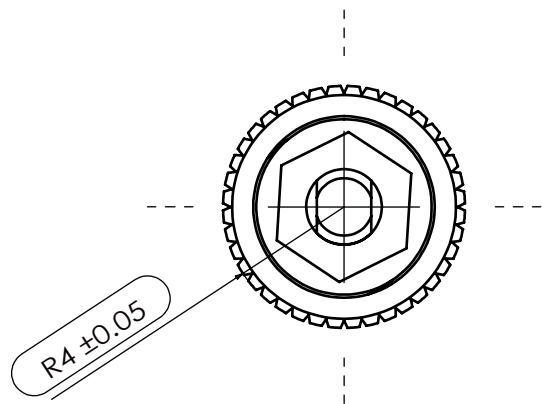


3	Date	Revisions	Staff
	2017-9-1	轴形状变更	李



- 注:1.扭力: 3kgf.cm
 2.带圆圈尺寸为重点尺寸.
 3.表面镀无化学镍3~6μm
 4.倒角均为:C0.3
 5.一般公差:+/-0.2.

001	*****	*****	*****	1	
No.	Parts Name	Materials	Treat	Q'ty	Remarks
Approved	Checked	Drawn	Designed	Date	Tolerance
		李	李	2016.8.02	L < 1 0.05
				Scale	Angle
				1:1	* °
					1 ≤ L ≤ 4 0.1
					4 < L ≤ 16 0.15
					16 < L ≤ 63 0.2
					63 < L 0.25
Jiaxing yujia Machinery Co.,Ltd				Unit	mm
				DWG No.	SD2115A10003