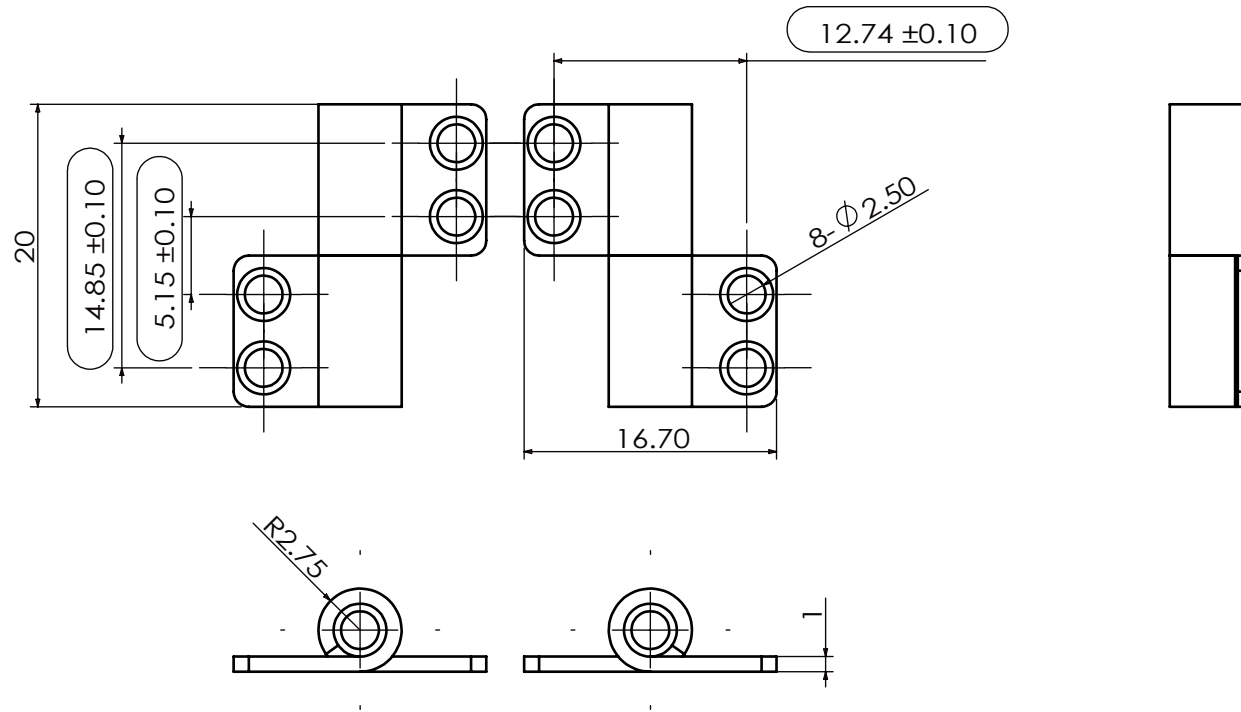


1	Date	Revisions	Staff
	**** ** **	*****	**



- 注:1.扭力 : 0.5 ± 0.1 N.M
 2.带圆圈尺寸为重点尺寸.
 3.表面镀无化学镍3~6 μ m
 4.倒角均为:C0.3
 5.一般公差: ± 0.2 .
 6.使用产品必须符合ROHS要求。

001	组装图			****	****	1	
No.	Parts Name			Materials	Treat	Q'ty	Remarks
Approved	Checked	Drawn	Designed	Date	Tolerance	Customer	
				2017.8.05	L < 1 0.05		
				Scale	Angle	DWG Name	*****
				1:1	* o 4 < L ≤ 16 0.15		
Jiaying yujia Machinery Co.,Ltd				Unit	mm	DWG No.	SD2172A10000
					16 < L ≤ 63 0.2		
					63 < L 0.25		