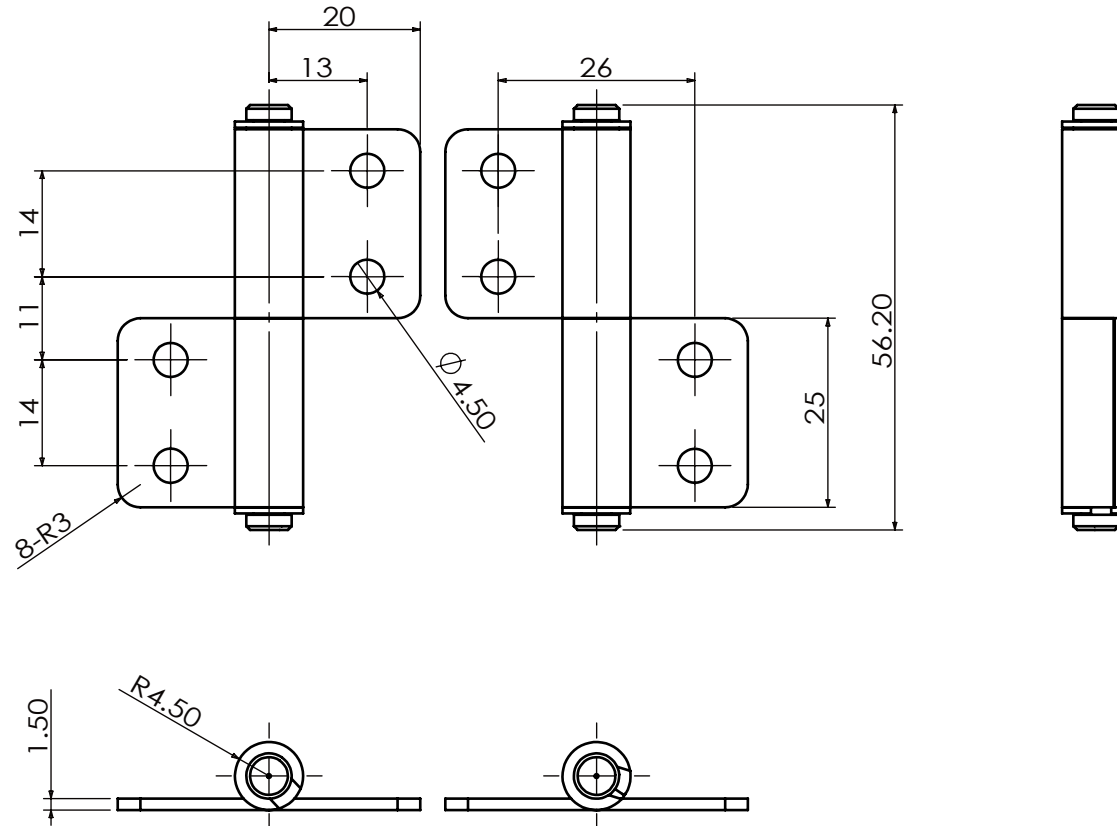


1	Date	Revisions	Staff
	**** ** **	*****	**



- 注:
- 1.带圆圈尺寸为重点尺寸.
  - 2.表面镀无化学镍3~6μm
  - 3.倒角均为:C0.5
  - 4.一般公差:±0.2.
  - 5.使用产品必须符合环保要求.
  - 6.盐雾测试必须在24小时以上.

001	组装图			****	****	1	
No.	Parts Name			Materials	Treat	Q'ty	Remarks
Approved	Checked	Drawn	Designed	Date	Tolerance	Customer	
				2017.9.6	L < 1 0.05		
				Scale	Angle	DWG Name	*****
				1:1	* 0 4 < L ≤ 16 0.15		
Jiaxing yujia Machinery Co.,Ltd				Unit	mm	DWG No.	SD2149A30000
				16 < L ≤ 63 0.2	63 < L 0.25		