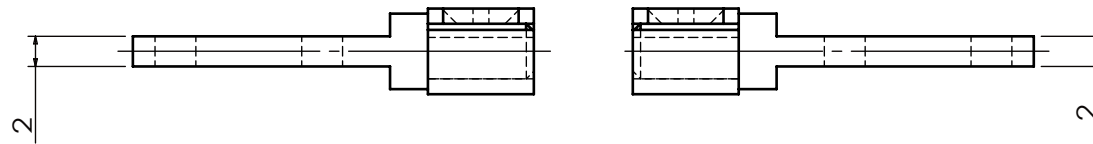
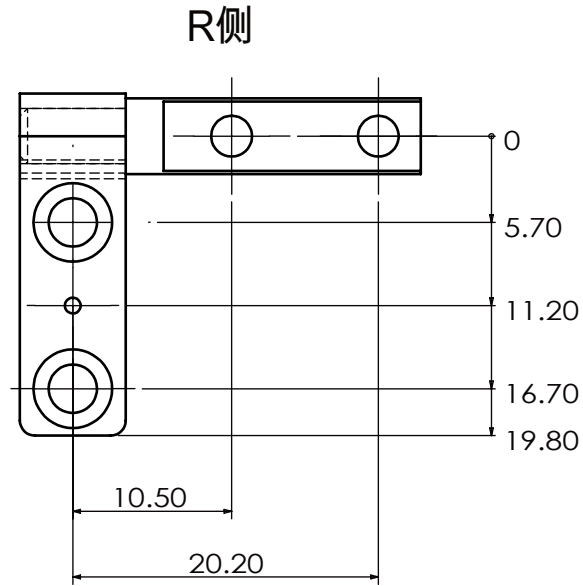
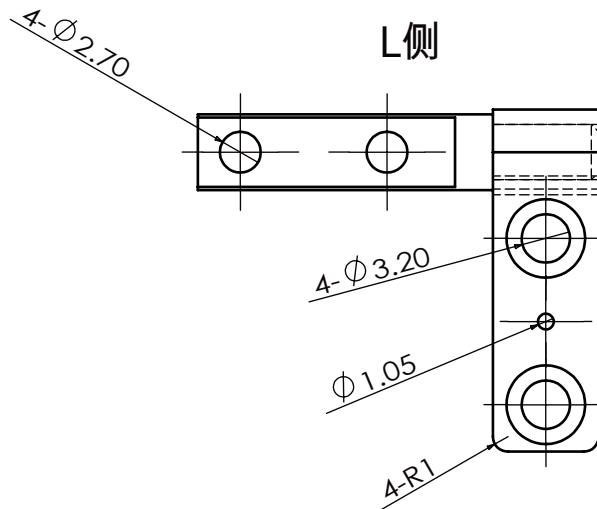
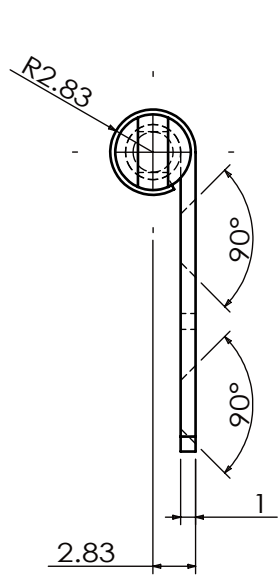


Date	Revisions		Staff
	*****	*****	**



- 注:
- 1.带圆圈尺寸为重点尺寸.
 - 2.表面镀无化学镍3~6 μ m
 - 3.倒角均为:C0.1
 - 4.一般公差:±0.1
 - 5.寿命测试:2万回扭力变化在±20%以内.

001	*****	*****	*****	1	
No.	Parts Name	Materials	Treat	Q'ty	Remarks
Approved	Checked	Drawn	Designed	Date	Tolerance
				2016.7.5	L < 1 0.05
				Scale	Angle
				1:1	* o 4 < L ≤ 16 0.15
Jiaxing yujia Machinery Co.,Ltd				Unit	mm
				16 < L ≤ 63 0.2	63 < L 0.25
			DWG No.	SD2113A10000	