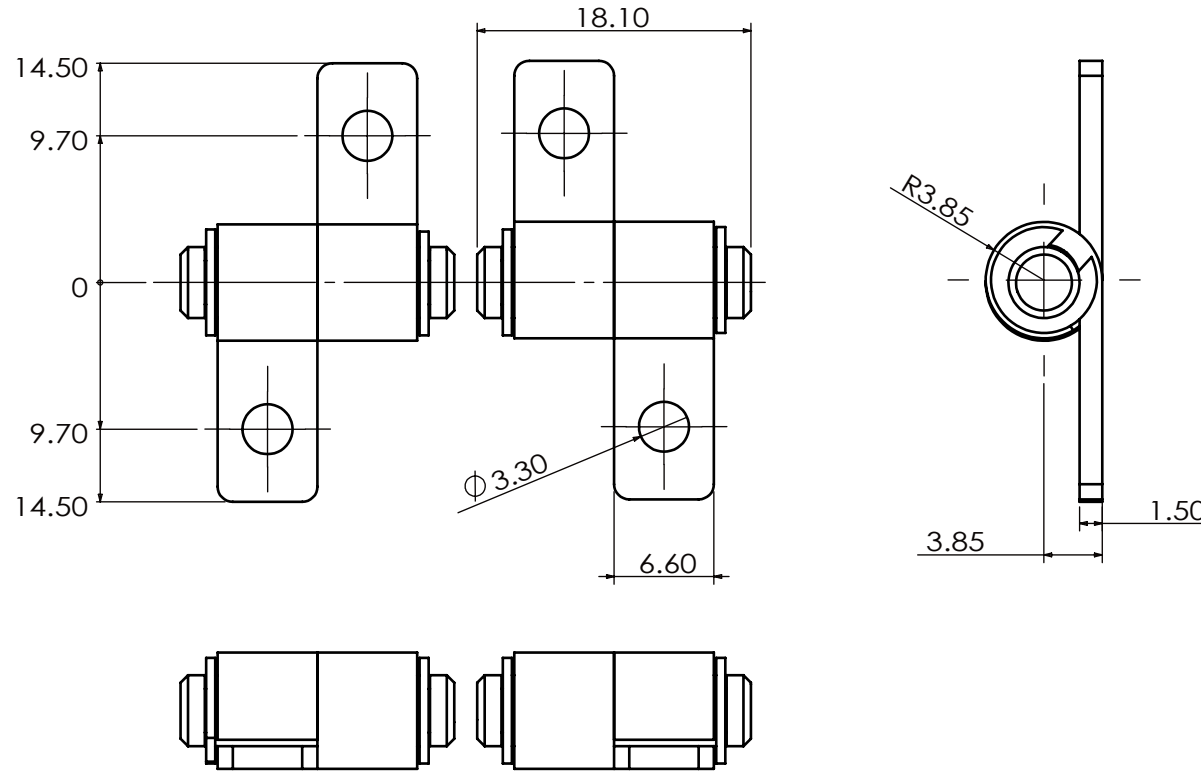


1	Date	Revisions	Staff
	******	*****	**



- 注:1.材质:碳钢  
 2.带圆圈尺寸为重点尺寸.  
 3.表面镀无化学镍3~6μm  
 4.倒角均为:C0.3  
 5.一般公差:±0.2.  
 6.使用产品必须符合ROHS要求。

001	组装图			****	****	1	
No.	Parts Name			Materials	Treat	Q'ty	Remarks
Approved	Checked	Drawn	Designed	Date	Tolerance	Customer	
				2017.8.05	L < 1 0.05		
				Scale	Angle	DWG Name	*****
				1:1	* o 4 < L ≤ 16 0.15		
Jiaxing yujia Machinery Co.,Ltd				Unit	mm	DWG No.	SD2063A10000
					16 < L ≤ 63 0.2		
					63 < L 0.25		