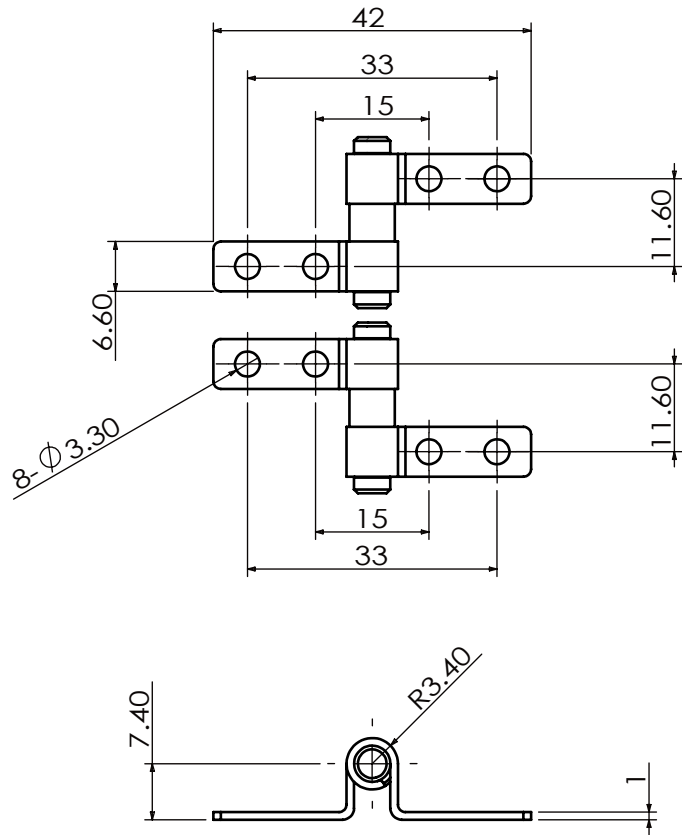


1	Date	Revisions	Staff
	****	*****	**



注:1.带圆圈尺寸为重点尺寸.
 2.表面镀无化学镍3~6 μ m
 3.倒角均为:C0.1
 4.一般公差:+/-01.

001	*****	*****	*****	1	
No.	Parts Name	Materials	Treat	Q'ty	Remarks
Approved	Checked	Drawn	Designed	Date	Tolerance
				2015.9.14	L < 1 0.05
				Scale	Angle
				1:1	* o 4 < L ≤ 16 0.15
Jiaxing yujia Machinery Co.,Ltd				Unit	mm
				16 < L ≤ 63	0.2
				63 < L	0.25
			DWG No.	SD2054A10000	