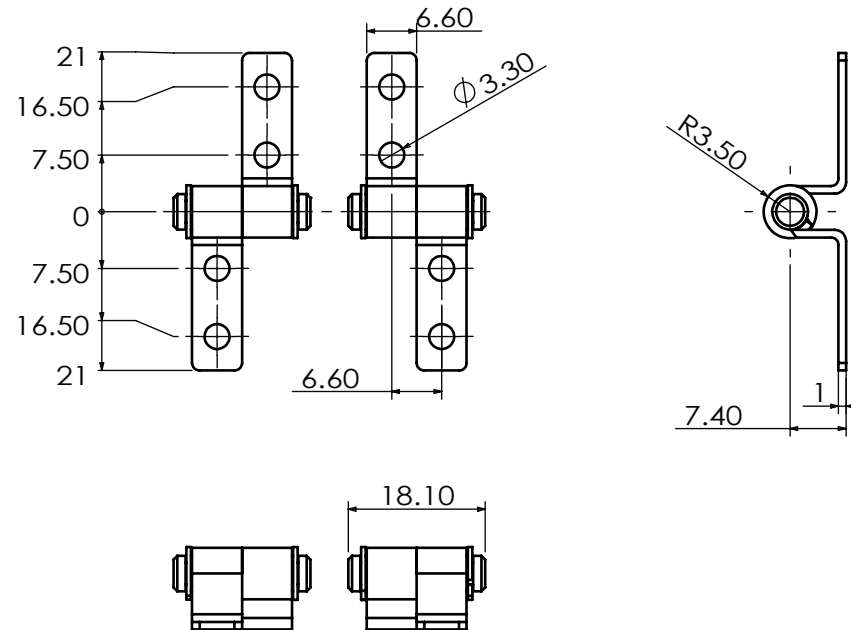


1	Date	Revisions	Staff
	**** ** **	*****	**



001	****	****	*****	1	
No.	Parts Name	Materials	Treat	Q'ty	Remarks
Approved	Checked	Drawn	Designed	Date	Tolerance
				2014.8.08	L < 1 0.05
				Scale	Angle
				1:1	* o 4 < L ≤ 16 0.15
Jiaxing yujia Machinery Co.,Ltd				Unit	mm
				16 < L ≤ 63 0.2	63 < L 0.25
				DWG Name	*****
				DWG No.	SD2050A10000